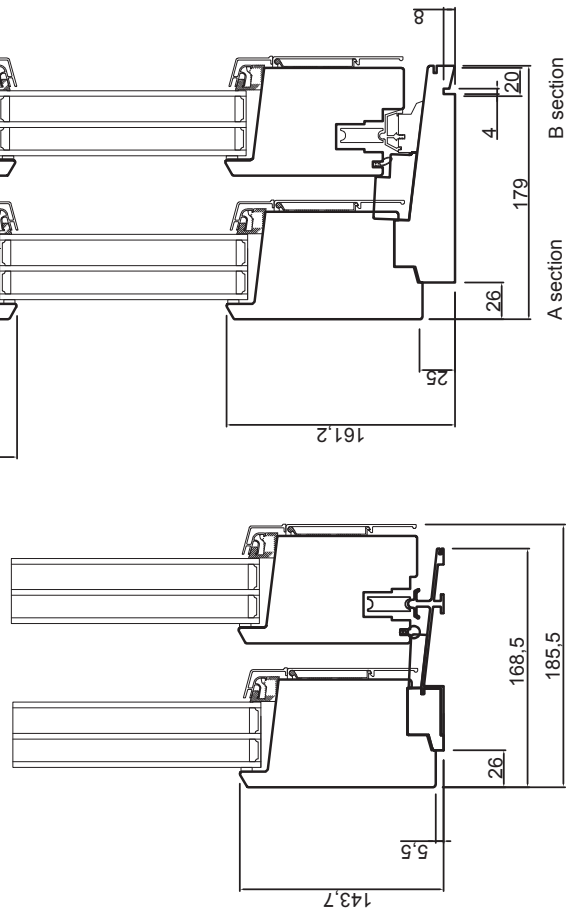
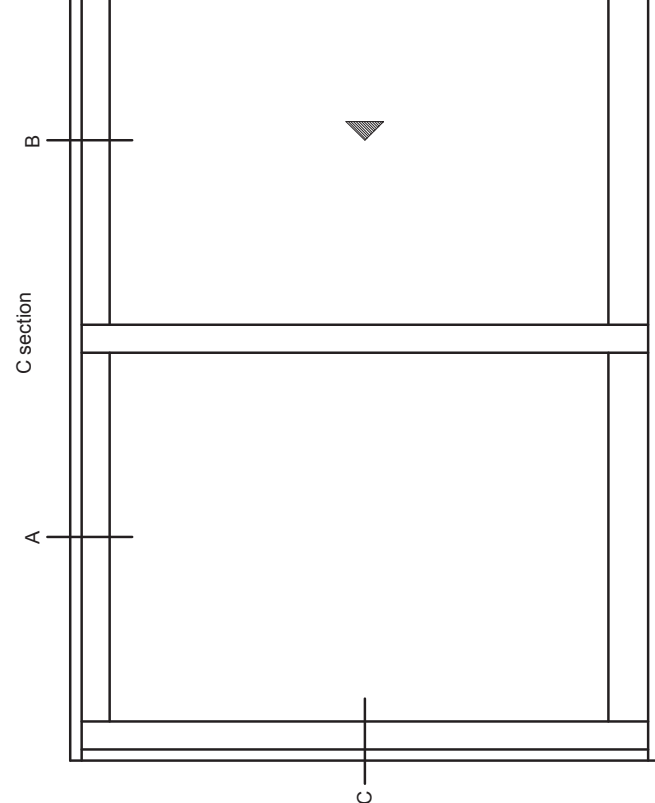
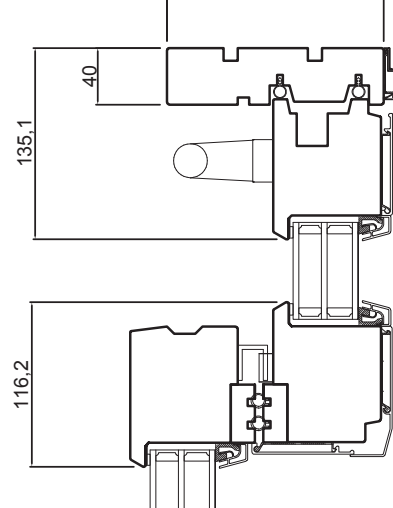


Rev	Description	Rev. by	Date
131,2	116,2	135,1	
32	179	153	
26	191	165	
28	176,2	179	
40	181	179	
47,5	193	179	
26	161,2	179	
25	168,5	179	
5,5	143,7	179	
26	185,5	179	
168,5	185,5	179	
143,7	185,5	179	
26	168,5	179	
5,5	143,7	179	
168,5	185,5	179	
143,7	185,5	179	
26	168,5	179	
5,5	143,7	179	



Designed by	AE	2018-07-05	Product Category	Door	Processing Code
Approved by	AE	2018-07-05	Product Type	Sliding	Material
			Article Number	ASP2	Tolerances unless otherwise specified
			Drawing Number	86-37-03	View orientation
			Revision	A	Scale



Elifönster Skjutdörr Alu
 1 Skjutbar del, 1 Fast del
 Elifönster Sliding Door Alu
 1 Sliding part, 1 Fixed part